



Heat resistant



2-way Installation
(vertically or horizontally)



Cooling system
(Water/Air)

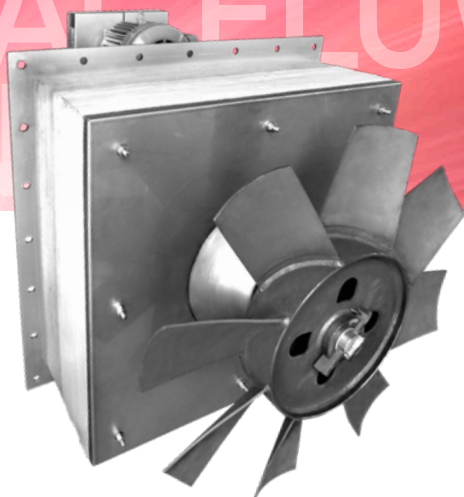
» Industrial Furnace Circulation Fan TYPE AB-F TYPE SF-F

AXIAL FLOW FAN / SIROCCO FAN

Features

1. Heat resistance is max 900°C.
2. Small to large sizes can be manufactured.
3. Able to install either vertically or horizontally.
4. Bearing structures can be manufactured with water cooling or air cooling.
5. Possible to design to suit the furnace.

AXIAL FLOW FAN SIROCCO FAN



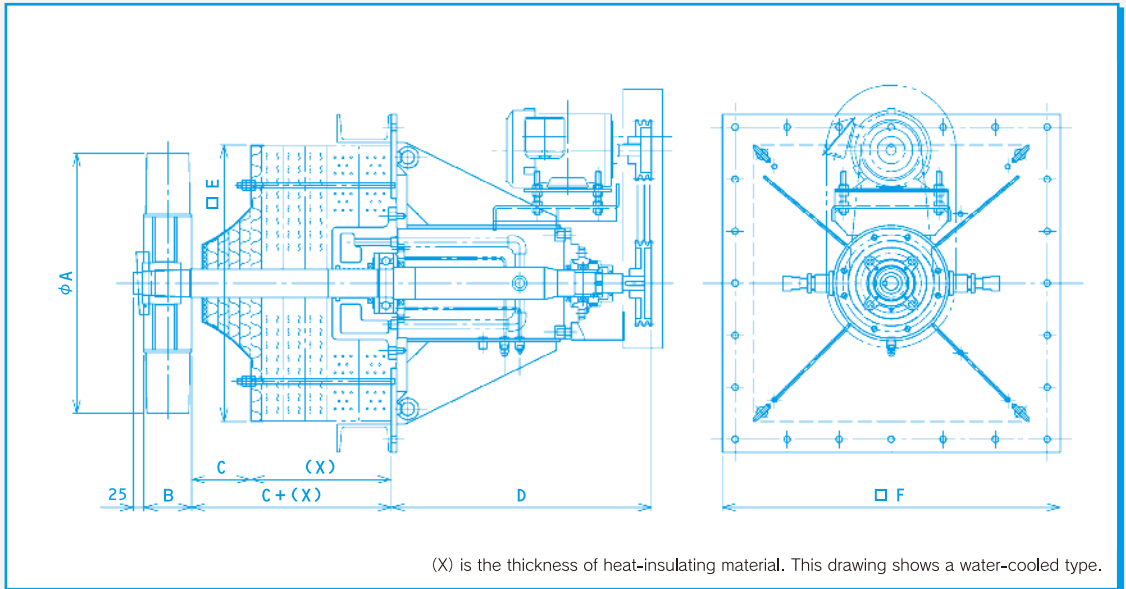
AXIAL FLOW FAN

Suitable for furnaces require high air volume

- Air volume can be selected up to 3.000m³/min
- Static pressure can be selected up to 0.5KPa.
- Able to manufacture up to ϕ 1900
- Bearing structure can be manufactured with water cooling or air cooling

01 Dimensions

Dimensions(mm)



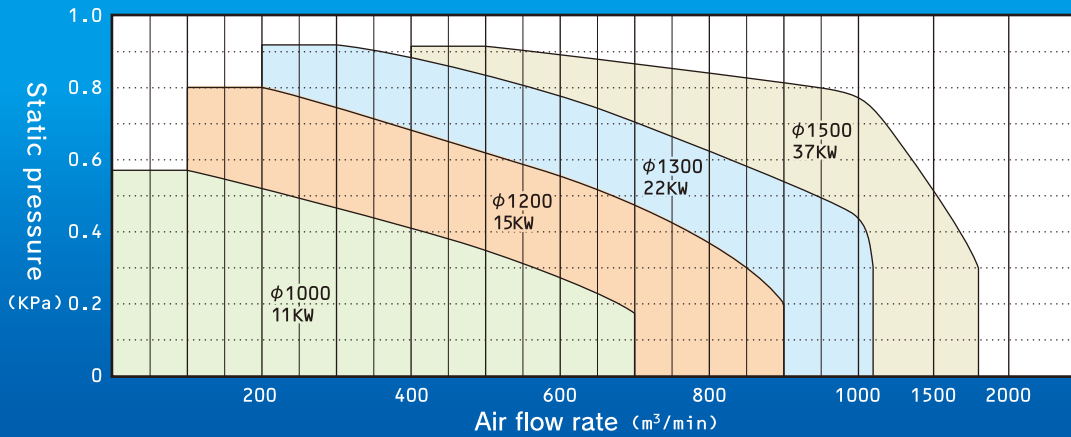
TYPE			φ A	B	C	D	□ E	□ F
FSU	500	WM	500	110	200	450	520	670
FSS		FM						
FSU	600	WM	600	110	200	450	620	770
FSS		FM						
FSU	700	WM	700	110	250	500	720	870
FSS		FM						
FSU	800	WM	800	150	300	600	820	990
FSS		FM						
FSU	900	WM	900	150	300	800	920	1090
FSS		FM						
FSU	1000	WM	1000	150	400	800	1030	1210
FSS		FM						
FSU	1100	WM	1100	150	400	900	1130	1310
FSS		FM						
FSU	1200	WM	1200	180	500	1000	1230	1410
FSS		FM						
FSU	1500	WM	1500	180	500	1000	1540	1710
FSS		FM						

※FSS:SS main material, FSU Stainless steel, WM:Water-cooled, FM:Air-cooled ※Please contact us for the allowable temperature for air-cooling.

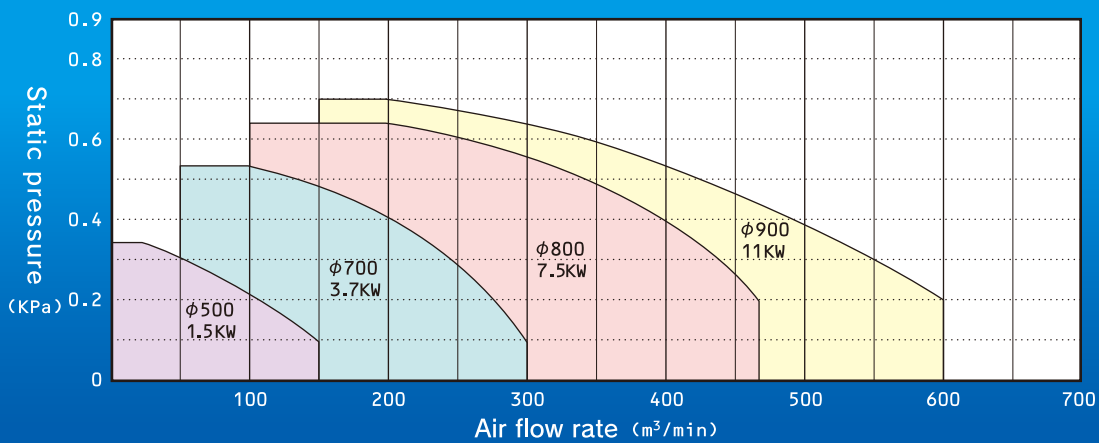
02 Performance Data

Performance Curves

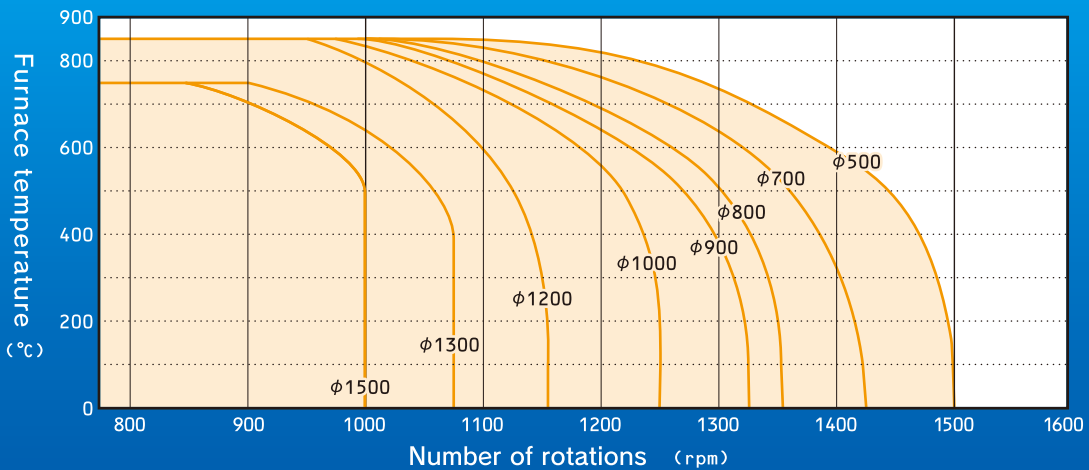
1000 rpm



1300 rpm



Range of use : Axial Flow fan



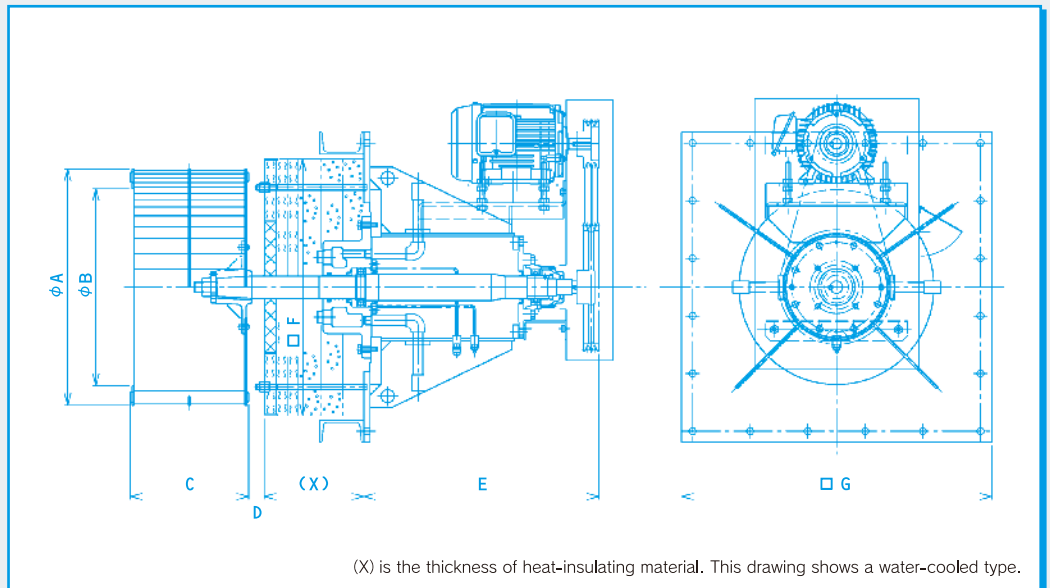
SIROCCO FAN

Suitable for furnaces requiring static pressure

- Static pressure can be selected in a range higher than that of the axial flow fan type.
- Available in sizes up to #10 (approx.1500 mm dia.)
- Bearing structure can be manufactured with water cooling or air cooling.

01 Dimensions

Dimensions (mm)

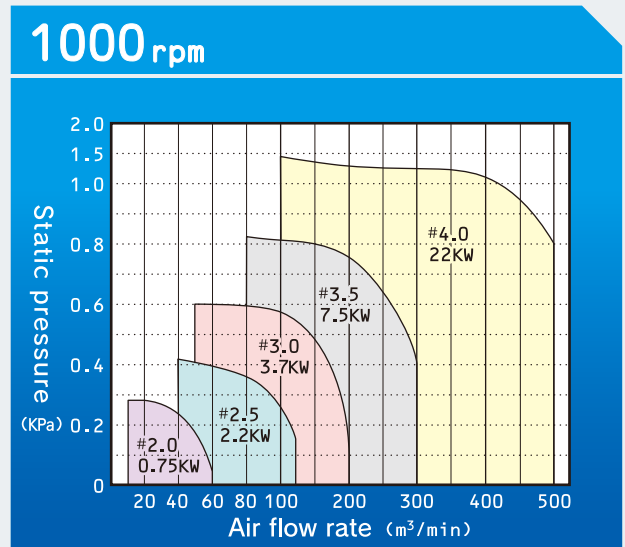
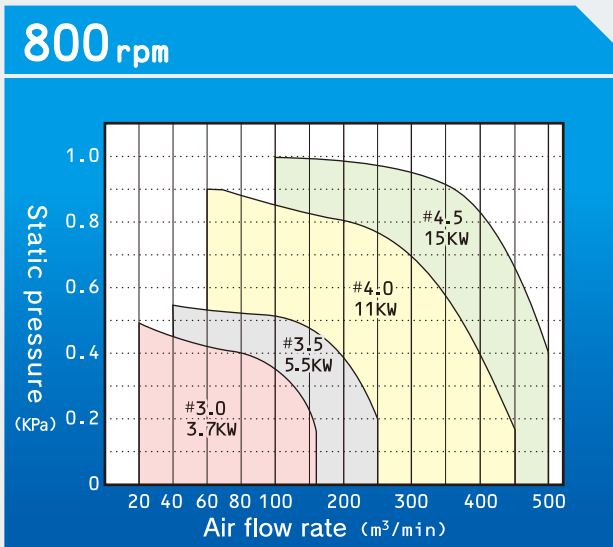
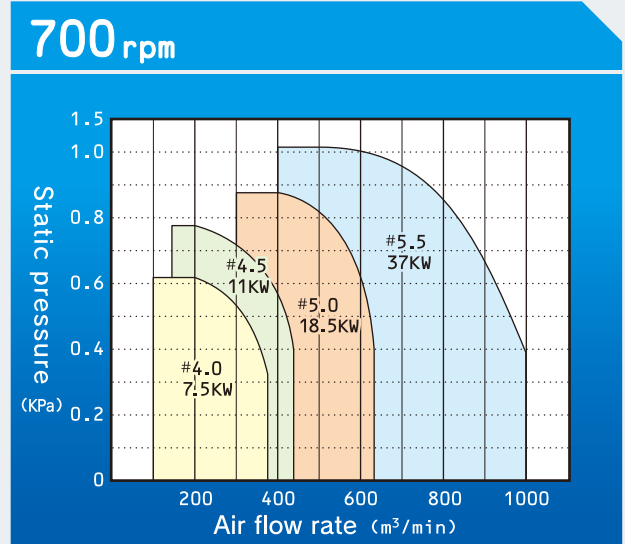
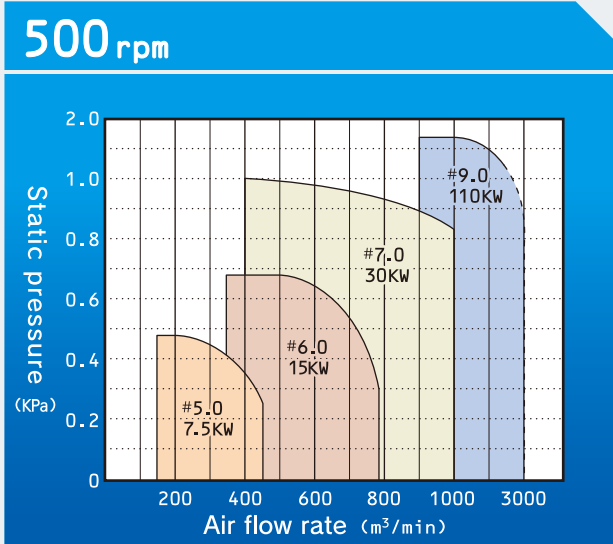


TYPE			ϕA	ϕB	C	D	E	$\square F$	$\square G$
FSU	2SF	WM	305	250	158	40	450	325	445
FSS		FM							
FSU	2½SF	WM	381	313	196	40	450	400	520
FSS		FM							
FSU	3SF	WM	457	375	235	50	550	475	595
FSS		FM							
FSU	3½SF	WM	533	445	273	50	550	550	700
FSS		FM							
FSU	4SF	WM	610	490	312	60	700	630	780
FSS		FM							
FSU	4½SF	WM	686	555	349	60	700	705	825
FSS		FM							
FSU	5SF	WM	763	622	410	60	800	785	955
FSS		FM							
FSU	5½SF	WM	838	680	443	60	800	860	1030
FSS		FM							
FSU	6SF	WM	915	755	483	60	900	945	1125
FSS		FM							
FSU	7SF	WM	1067	900	575	80	1000	1100	1290
FSS		FM							
FSU	8SF	WM	1220	1020	650	80	1000	1250	1440
FSS		FM							

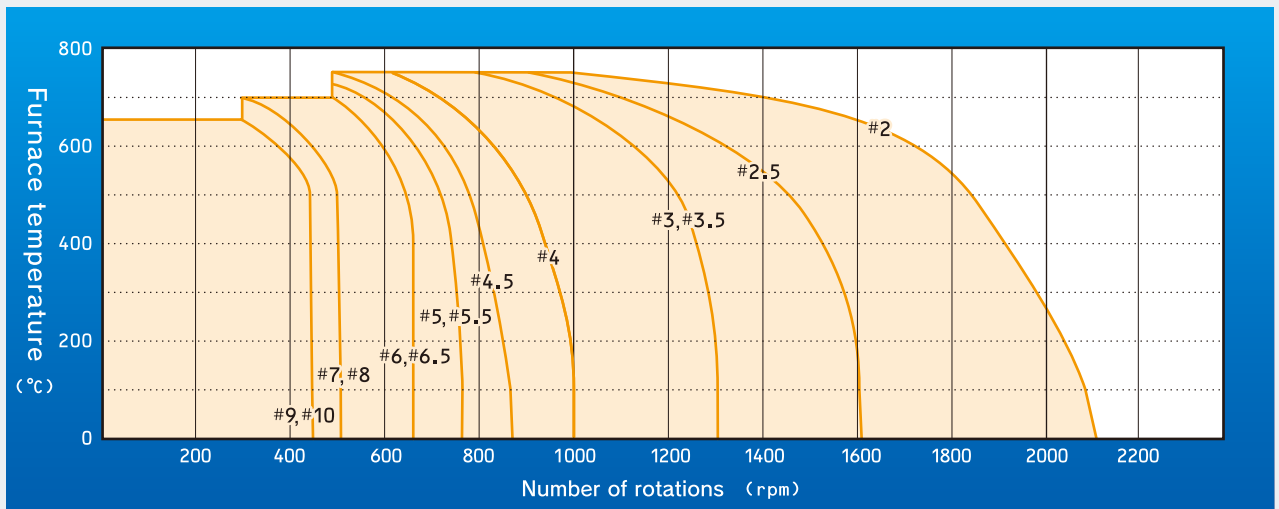
※FSS:SS main material, FSU Stainless steel, WM:Water-cooled, FM:Air-cooled ※Please contact us for the allowable temperature for air-cooling.

02 Performance Data

Performance Curves



Range of use : Sirocco fan



03

Axial Flow Fan / Sirocco Fan Type

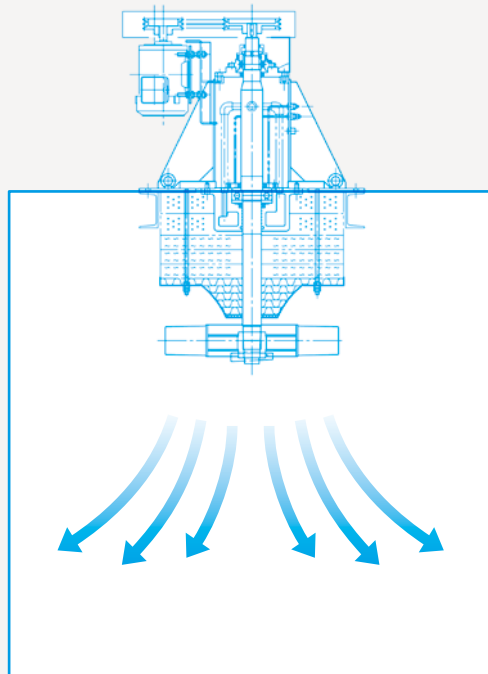
Belt-driven type

Materials	SS / SUS / Inconel / Heat-resistant cast steel
Use for	Heat Treatment Furnaces / Firing Furnaces / Baking Furnaces / Drying Furnaces / etc.
Electric motors	Please ask us if you require a specific manufacturer. (Can be used outside Japan.)
Coating (Standard)	Heat-resistant silver, Cover: 2.5Y8/14 (If you require a specific color, please ask us.)
Casing (Standard)	None (Please ask us if necessary.)

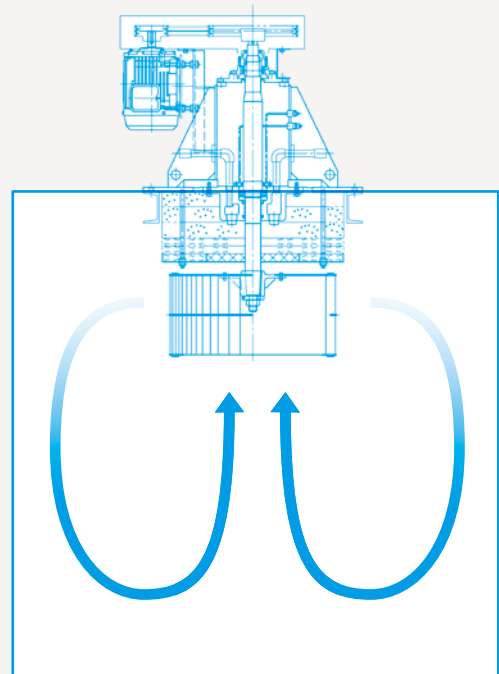
※SS can be used up to 350°C max.

※Please ask us for temperature, material, the direction of rotation, and anything else when determining specifications.

Figure : Airflow Image



Axial Flow Fan



Sirocco Fan

Product appearance and specifications are subject to change without notice for improvement.

PROFESSIONAL MAKER OF BLOWERS

ADACHI KIKO CO.,LTD.

2-20-8 HACHIBAN ATSUTAKU NAGOYA CITY, JAPAN
POSTAL NO. 456-0059

TEL 052-661-9611 FAX 052-651-3928