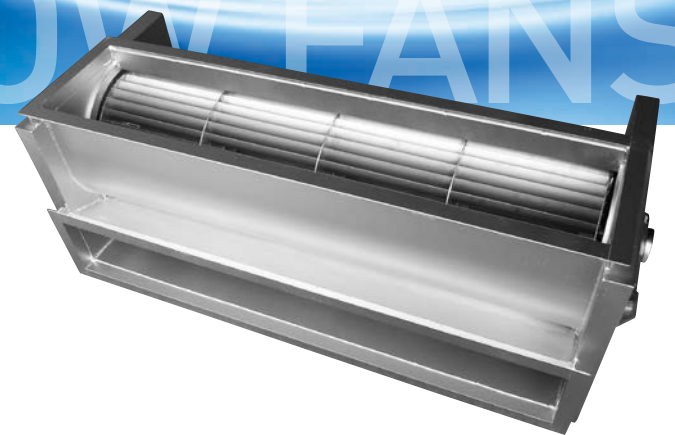




» CROSS FLOW FANS TYPE-SFL

Features

1. Heat resistance temperature : 0°C to 600°C
2. Rotor diameter : ϕ 200 to 500 (5 types)
3. Effective length : 400 to 1600mm
4. Stable air velocity can be get from the entire rotor.
5. Enables direct integration into equipment.
6. Selectable air inlet and outlet positions.



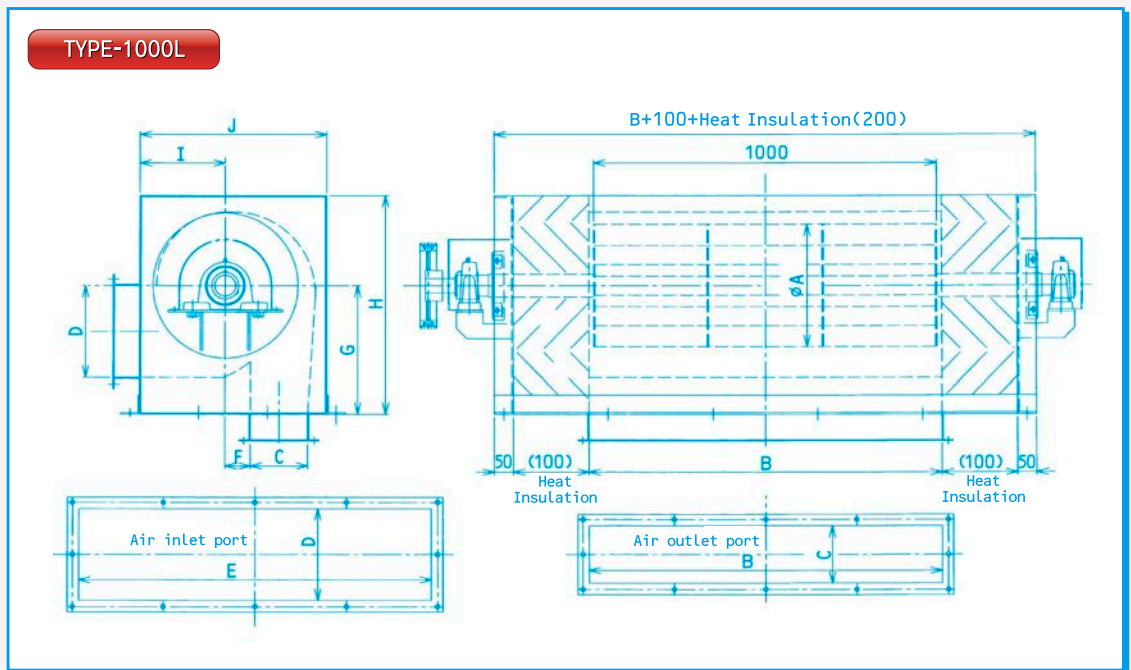
CROSS FLOW FANS

Lightweight and space-saving, suitable for equipment in a wide range of fields.

- Simple and compact shape allows for installation in any location (Available to install in the corner of a small space.)
- Available for a wide range of equipment due to its heat-resistant specifications (operating temperature range of 0 to 600°C.)
- The wide outlet of the structure allows air circulation to work as a "plane" and efficiently adds energy to the system.
- Uniform air velocity enables good temperature distribution in the equipment.

01 Dimensions

Dimensions(mm)



TYPE	A	B	C	D	E	F	G	H	I	J
200-SFL 1000L	200	1025	120	190	1025	50	240	440	200	400
280-SFL 1000L	280	1025	150	220	1025	50	260	460	220	450
320-SFL 1000L	320	1025	180	240	1025	65	335	570	240	500
400-SFL 1000L	400	1030	265	320	1030	80	430	730	300	700
500-SFL 1000L	500	1040	300	400	1040	140	560	910	320	760

※Other rotor diameters and effective lengths can be manufactured depending on the specifications. Please contact us for details.

02 Performance Data

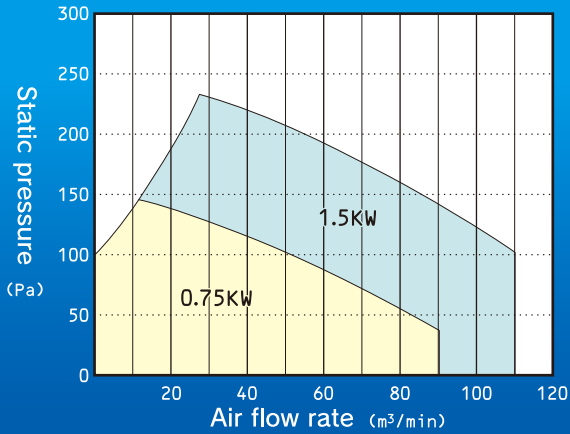
Performance Curves (at 20°C)

Rotor diameters : $\phi 200$, $\phi 280$, $\phi 320$, $\phi 400$, $\phi 500$

Effective length: 1000mm

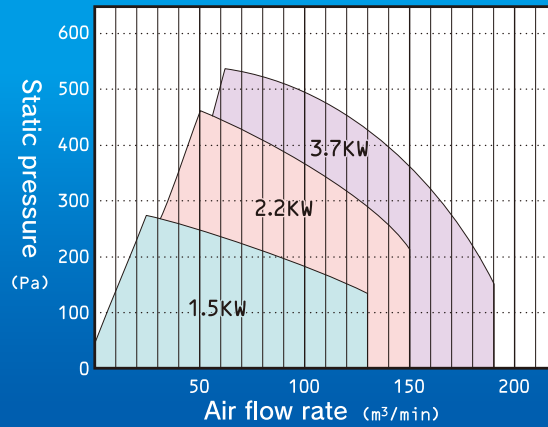
200-SFL

$\phi 200 \times 1000L$



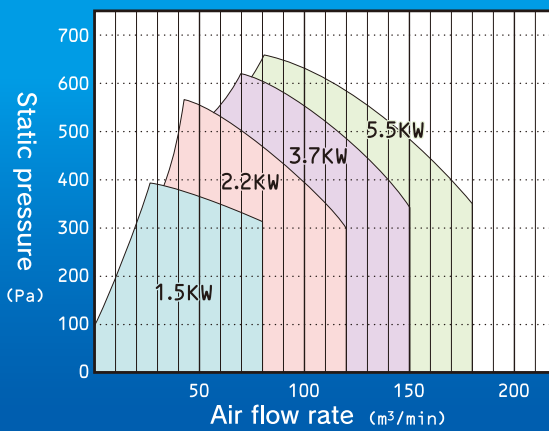
280-SFL

$\phi 280 \times 1000L$



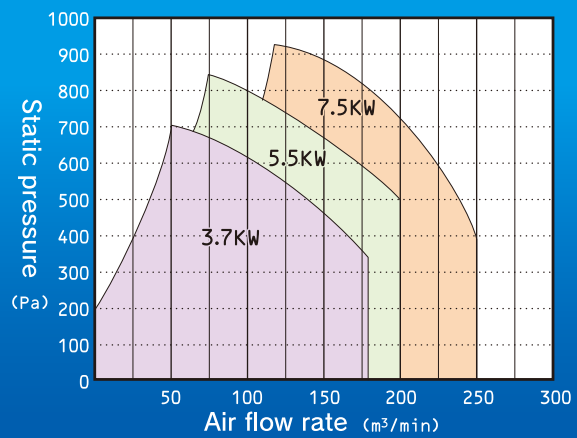
320-SFL

$\phi 320 \times 1000L$



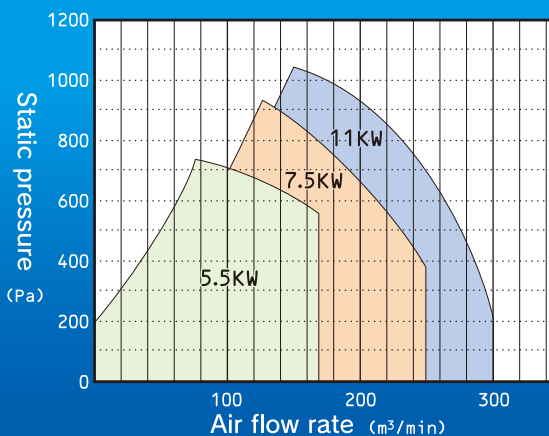
400-SFL

$\phi 400 \times 1000L$



500-SFL

$\phi 500 \times 1000L$



03 Cross Flow Fans Type

TYPE	Rotor diameters	Effective length	Operating temperature	Main materials
200-SFL	φ200	400~1200mm	0~600℃	<ul style="list-style-type: none"> ●SS ●SUS304 ●SUS316 ●SUS310S
280-SFL	φ280	600~1400mm		
320-SFL	φ320	650~1400mm		
400-SFL	φ400	800~1600mm		
500-SFL	φ500	1000~1600mm		

Optional Products

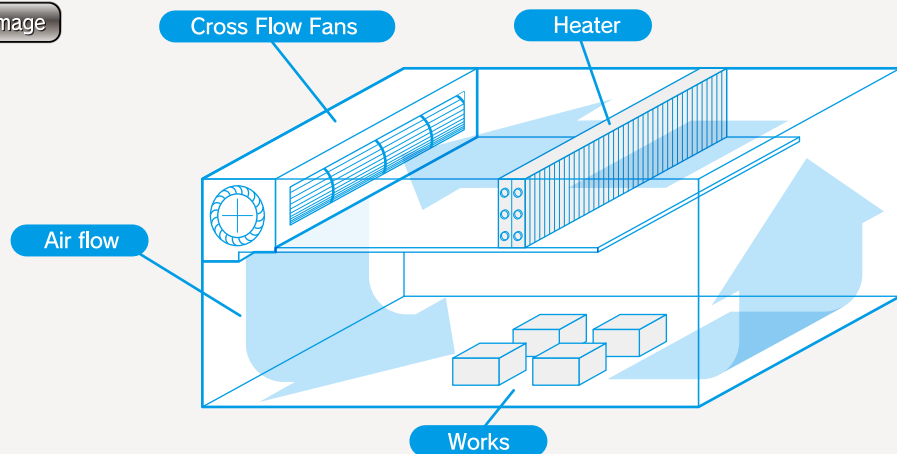
Heat & Thermal Insulation Case

We design the insulation of the casing according to the operating temperature and the insulation thickness of the furnace body. Insulation material varies depending on the operating temperature.

Guide Duct

The air inlet ports and outlet ports are designed in a shape that can be attached to the furnace body. We can also design ducts as "Furnace body integrated ducts" and "short ducts".

Equipment image



Product appearance and specifications are subject to change without notice for improvement.

PROFESSIONAL MAKER OF BLOWERS

ADACHI KIKO CO., LTD.

2-20-8 HACHIBAN ATSUTAKU NAGOYA CITY, JAPAN
 POSTAL NO. 456-0059
 TEL 052-661-9611 FAX 052-651-3928