



Low noise



High efficiency



Space-saving

» SILENT BLOWER TYPE TB-DS

Features

Low noise, High efficiency, Compact

1. High air pressure specification with low noise and high efficiency
2. Directly connected to the electric motor type, compact & lightweight, and easy installation.
3. Selectable air inlet and outlet positions.
4. Easy filter replacement

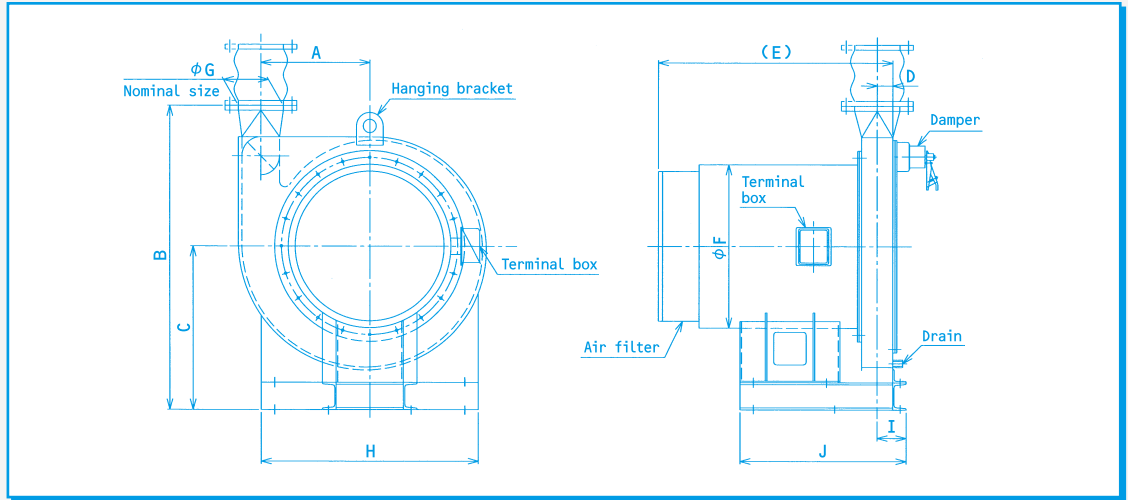


SILENT BLOWER

SILENT BLOWER

01 Dimensions

Dimensions (mm)



60Hz (3500rpm)

Model Type	Rated load operation(Motors)			Approximate gravity kg	A	B	C	D	E	ΦF	ΦG	H	I	J
	Kw	KPa	m³/min											
4.0-10TB-DS-6S 3.7	3.7	9.4	10	250	375	880	550	52.5	705	550	125	600	102.5	505
4.0-15TB-DS-6S 5.5	5.5	9.6	20	290	365	1065	550	65	880	600	150	700	115	630
4.0-15TB-DS-6S 7.5	7.5		30	300	365	1065	550	65	880	600	200	700	115	630
4.0-20TB-DS-6S 11	11	10	43	380	405	1110	580	75	1050	700	200	700	125	750
4.5-5TB-DS-6S 3.7	3.7		12	290	402	1095	600	52.5	705	550	100	800	102.5	505
4.5-10TB-DS-6S 5.5	5.5	11	18	320	402	1095	600	57.5	865	600	125	800	107.5	615
4.5-10TB-DS-6S 7.5	7.5		26	330	402	1095	600	57.5	865	600	150	800	107.5	615
4.5-15TB-DS-6S 11	11	15	40	390	406	1215	630	75	1000	700	200	800	125	750
4.5-15TB-DS-6S 15	15		54	400	406	1215	630	75	1050	700	250	800	125	750
4.5-15TB-DS-6S 18.5	18.5	12	65	440	406	1215	630	75	1150	700	250	800	125	750
5.0-10TB-DS-6S 7.5	7.5		22	340	487	1265	700	57.5	865	600	125	850	107.5	615
5.0-10TB-DS-6S 11	11	15	32	400	487	1265	700	57.5	965	700	150	850	107.5	715
5.0-10TB-DS-6S 15	15		44	410	487	1265	700	65	1030	700	200	850	115	730
5.0-15TB-DS-6S 18.5	18.5	15	53	450	500	1275	710	75	1150	700	250	850	125	750
5.5-5TB-DS-6S 7.5	7.5		17	370	490	1260	685	57.5	815	600	125	900	107.5	615
5.5-5TB-DS-6S 11	11	15	25	420	490	1260	685	57.5	965	700	150	900	107.5	715
5.5-10TB-DS-6S 15	15		35	430	500	1285	710	65	980	700	200	900	115	730
5.5-10TB-DS-6S 18.5	18.5		43	470	500	1285	710	65	1130	700	200	900	115	730

50Hz (2900rpm)

Model Type	Rated load operation(Motors)			Approximate gravity kg	A	B	C	D	E	ΦF	ΦG	H	I	J
	Kw	KPa	m³/min											
4.0-10TB-DS-5S 3.7	3.7	6.7	18	250	375	880	550	52.5	705	550	125	600	102.5	505
4.0-15TB-DS-5S 5.5	5.5		27	290	365	1065	550	65	880	600	150	700	115	630
4.0-15TB-DS-5S 7.5	7.5	8	37	300	365	1065	550	65	880	600	200	700	115	630
4.0-20TB-DS-5S 11	11		58	380	405	1110	580	75	1050	700	250	700	125	750
4.5-10TB-DS-5S 3.7	3.7	10	17	290	402	1095	600	57.5	865	600	125	800	107.5	615
4.5-10TB-DS-5S 5.5	5.5		25	320	402	1095	600	57.5	865	600	150	800	107.5	615
4.5-10TB-DS-5S 7.5	7.5	12	34	330	402	1095	600	57.5	865	600	200	800	107.5	615
4.5-15TB-DS-5S 11	11		50	390	406	1215	630	75	1050	700	200	800	125	750
4.5-15TB-DS-5S 15	15	14	70	400	406	1215	630	100	1100	700	250	800	125	750
4.5-15TB-DS-5S 18.5	18.5		85	440	406	1215	630	100	1200	700	250	800	125	750
5.0-5TB-DS-5S 3.7	3.7	10	12	300	487	1265	700	52.5	705	550	125	850	102.5	505
5.0-10TB-DS-5S 5.5	5.5		19	330	487	1265	700	57.5	865	600	125	850	107.5	615
5.0-10TB-DS-5S 7.5	7.5	12	26	340	487	1265	700	57.5	865	600	125	850	107.5	615
5.0-10TB-DS-5S 11	11		39	400	487	1265	700	65	1030	700	200	850	115	730
5.0-15TB-DS-5S 15	15	14	54	410	500	1275	710	75	1050	700	250	850	125	750
5.0-15TB-DS-5S 18.5	18.5		65	450	500	1275	710	75	1150	700	250	850	125	750
5.5-5TB-DS-5S 7.5	7.5	12	21	370	490	1260	685	57.5	815	600	125	900	107.5	615
5.5-10TB-DS-5S 11	11		30	420	490	1260	685	57.5	965	700	150	900	107.5	715
5.5-10TB-DS-5S 15	15	14	41	430	500	1285	710	65	1030	700	200	900	115	730
5.5-10TB-DS-5S 18.5	18.5		51	470	500	1285	710	75	1150	700	250	900	125	750
6.0-5TB-DS-5S 7.5	7.5	14	18	370	535	1355	735	57.5	815	600	125	1000	107.5	615
6.0-5TB-DS-5S 11	11		26	420	535	1355	735	57.5	965	700	150	1000	107.5	715
6.0-10TB-DS-5S 15	15	14	35	430	520	1355	735	65	980	700	200	1000	115	730
6.0-10TB-DS-5S 18.5	18.5		43	470	520	1355	735	65	1130	700	200	1000	115	730

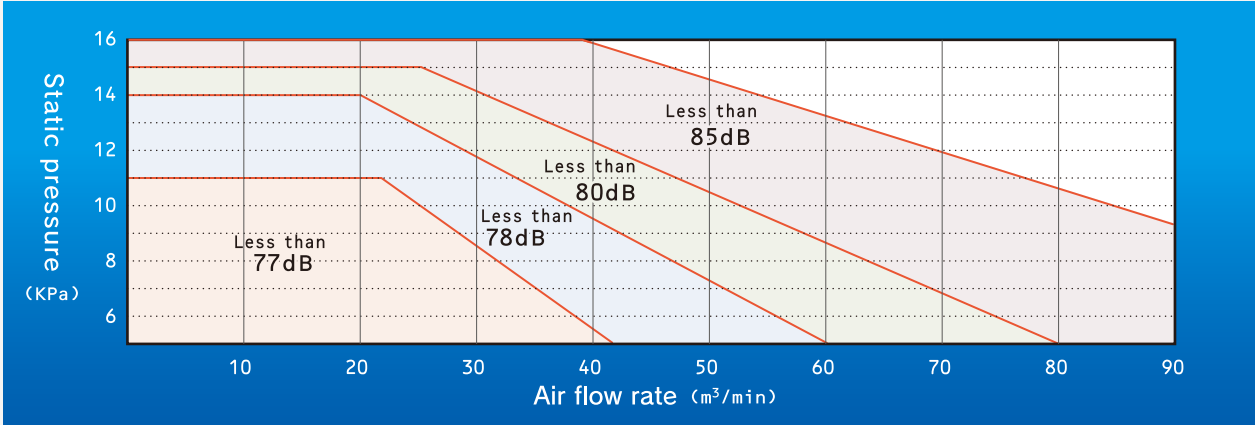
※6.0TB:Rotors (AL made)

02 Performance Data

Noise Levels : 1m from machine side / Measured average of 8 locations

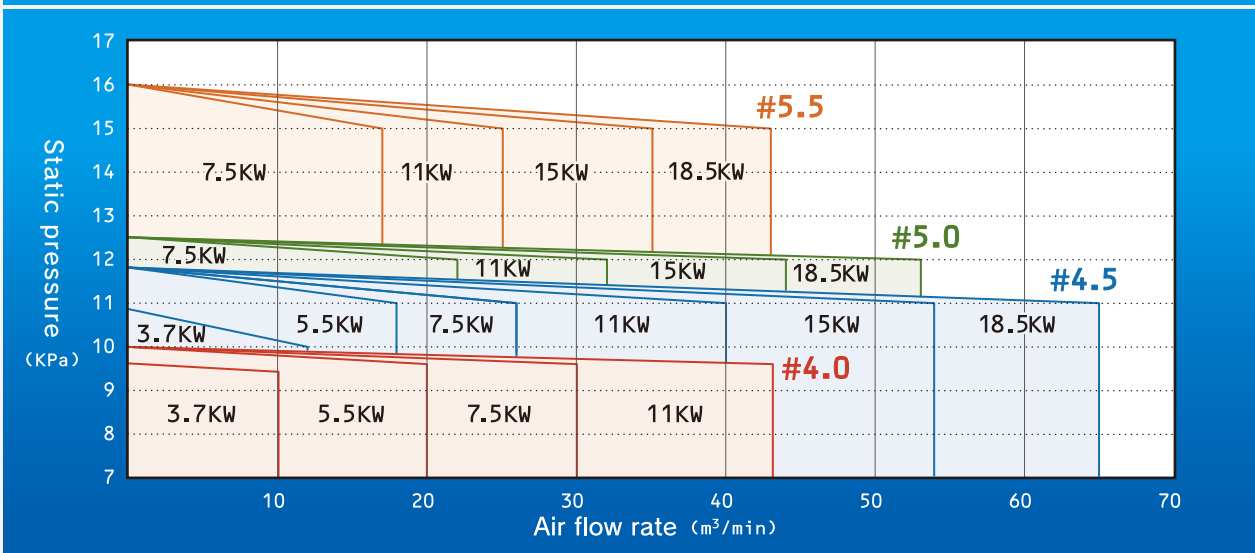
Performance Curves : 60Hz(Rotation speed : 3500rpm) at 20°C / 50Hz (Rotation speed : 2900rpm) at 20°C

Noise Levels

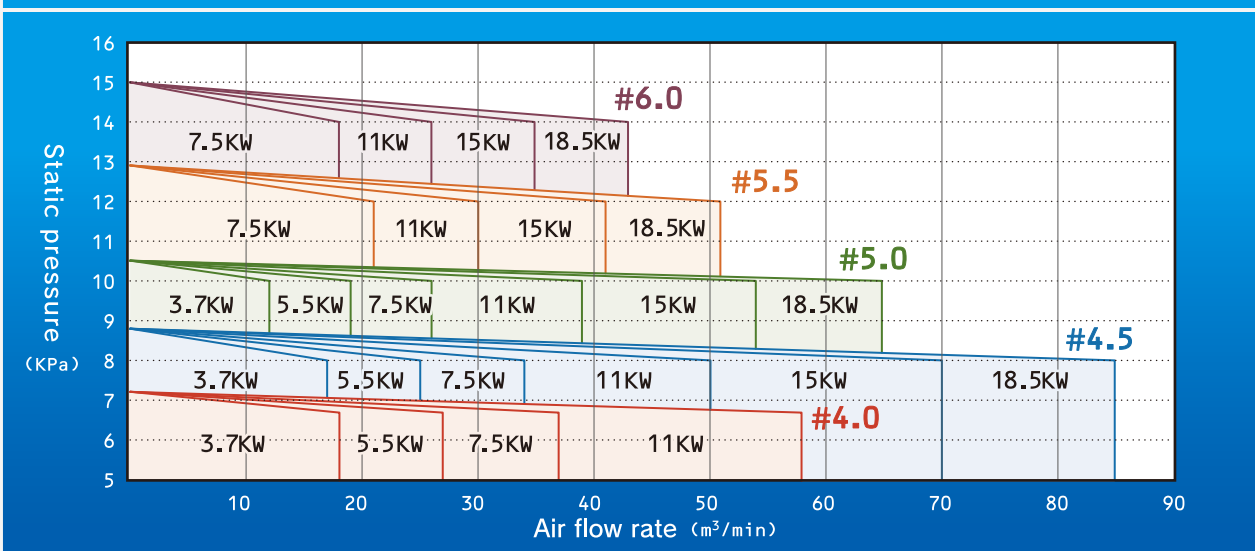


Performance Curves

60Hz



50Hz



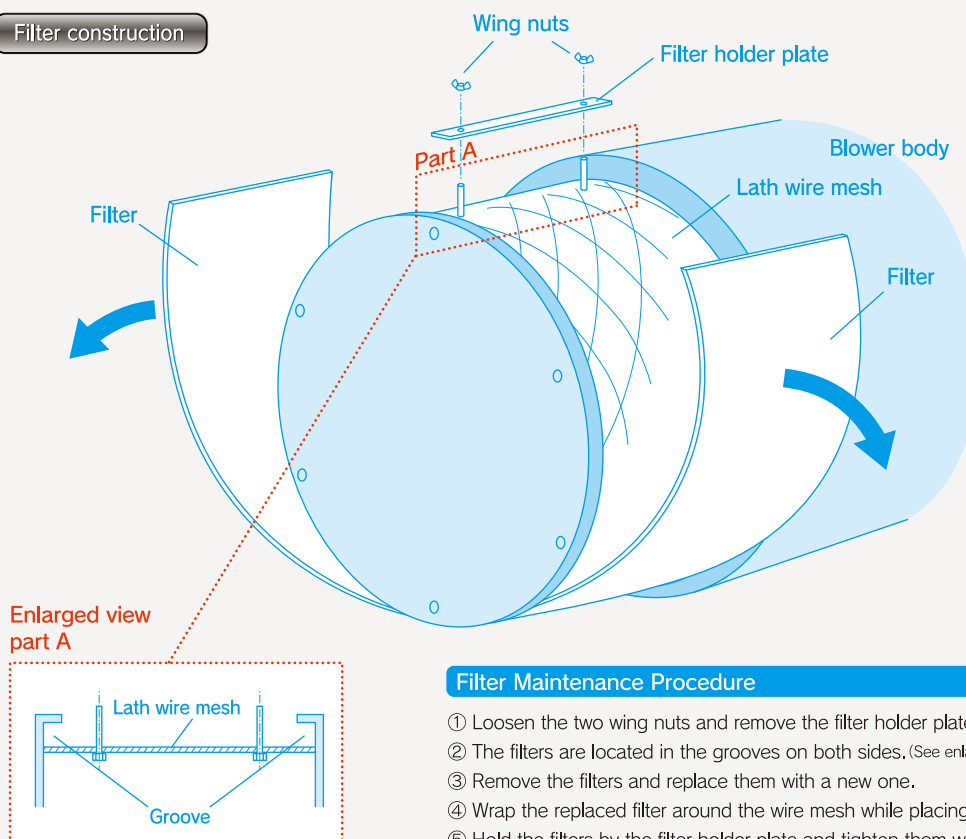
03 Silent Blower Type

Gases handled	Air
Intake temperature	- 15 to 40℃
Ambient temperature	- 15 to 40℃
Installed location	Indoor
Atmosphere	No explosive and corrosive

Paint (Paint color)	Gray (N-5)
Motor type	Totally enclosed external Fan type: Front open fan type 2P
Power source*	60Hz:200/220V
	50Hz:200V
Filter	Travelon AF-150

*Please contact us about voltage (e.g., for overseas use).

Filter construction



Filter Maintenance Procedure

- ① Loosen the two wing nuts and remove the filter holder plate.
- ② The filters are located in the grooves on both sides. (See enlarged view part A)
- ③ Remove the filters and replace them with a new one.
- ④ Wrap the replaced filter around the wire mesh while placing it in the groove.
- ⑤ Hold the filters by the filter holder plate and tighten them with the wing nuts.

○Product appearance and specifications are subject to change without notice for improvement.

PROFESSIONAL MAKER OF BLOWERS

ADACHI KIKO CO.,LTD.

2-20-8 HACHIBAN ATSUTAKU NAGOYA CITY, JAPAN
 POSTAL NO. 456-0059
 TEL 052-661-9611 FAX 052-651-3928